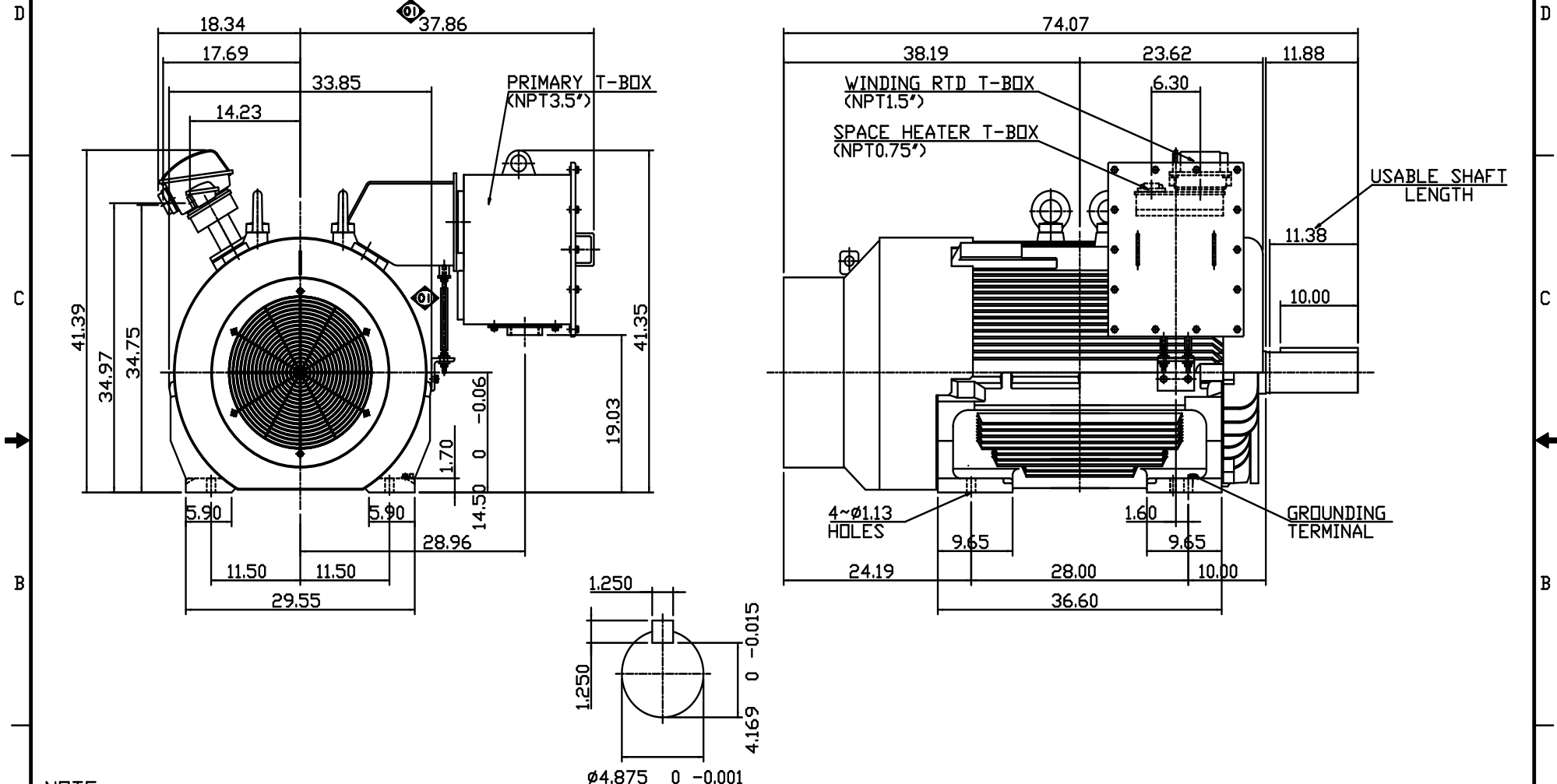


TYPE	OUTPUT		POLE	TIME RATING	VOLTAGE V	Hz	SYN.SPEED R.P.M
	HP.	kW.					
AEHGK	400	298	8	CONT.	2300/4160	60	900

TOTALLY ENCLOSED FAN-COOLED TYPE. SQUIRREL-CAGE ROTOR



NOTE:

1. DIMENSIONS IN INCH
2. FRAME NO. 5808B
3. F CLASS INSULATION, S.F.115
4. FOR DIRECT FLEXIBLE COUPLING
5. ENCLOSURE: IP54
6. BEARING SIZE: DRIVE-END 6326
OPP. DRIVE-END 6322
7. WITH SPACE HEATER & WINDING RTD
8. MOTOR APPROX. WEIGHT: 5300LBS

SHAFT END
(ENLARGED VIEW)

DATE	OCT. 31, 2014	OUTLINE DIMENSIONS
CATALOG #	KG4008	3-PHASE INDUCTION MOTOR

DWN.	Y.DU	AUG-30-2011
CHKD.	H.HUANG	AUG-30-2011
APPD.	B.LIN	AUG-30-2011

TECO Westinghouse

DWG NO. 4A040G949
REV: 01